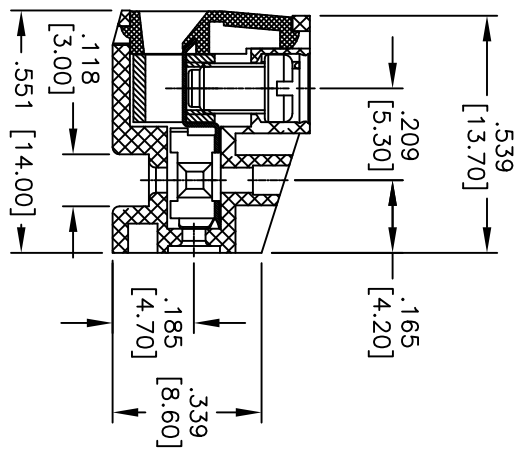
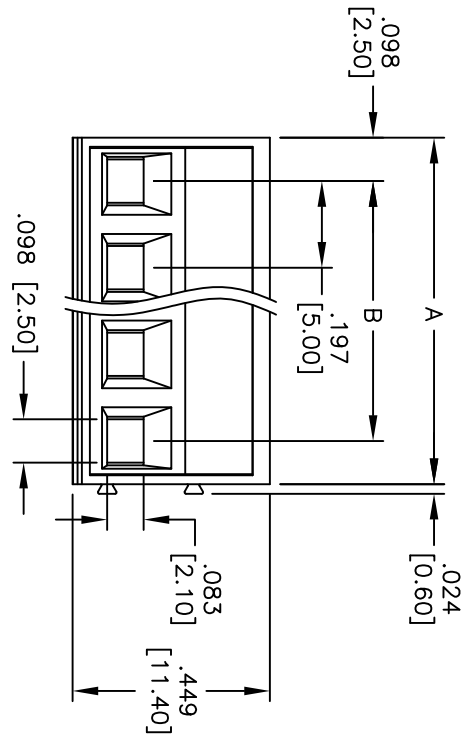
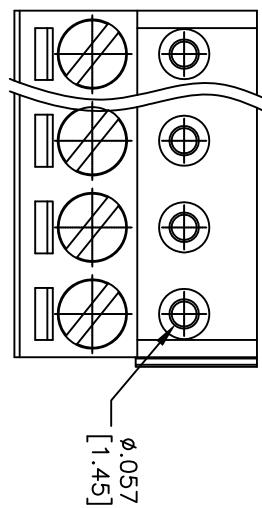


Rev	AWO #	Description	Date	Appr
-		RELEASED	7/19/11	

APPROVED: _____
 DATE: _____ TITLE: _____



Poles: 4 thru 24
 A = .197 [5.00] X No. of Positions
 B = .197 [5.00] X No. of Spaces

SPECIFICATIONS:

- Material: Insulator: Thermoplastic, rated UL 94V-0
- Insulator color: Grey
- Clamp: Brass, Nickel plated
- Screw: M3, Steel, Zn plated.
- Contact: Phosphor Bronze, Tin plated.
- Electrical: Operation voltage: 300 VAC
- Current rating: 10 Amps
- Mechanical: Wire strip length: 5-6mm
- Torque (lb-in): 1.7
- Wire Range: 16-22 Awg
- Withstanding Voltage: 1.6KV
- Environmental: Operating temperature: -40°C to +115°C
- Lead free, ROHS compliant.
- Recommended soldering temp: 235°C for 5 sec.



ADAM TECH
 909 Rahway Avenue, Union, NJ 07083
 Phone: 908-687-5000 Fax: 908-687-5710

TITLE: EURO BLOCK, .197 [5.00] PITCH

UNLESS OTHERWISE SPECIFIED ALL DIMENSIONS ARE MM [INCHES]	
TOLERANCES: EXCEPT AS NOTED	
INCHES	HOLES
.X ± .10	ØXX ± .10
.XX ± .020	ØXXX ± .015
.XXX ± .015	ØXXXX ± .010
APPROVALS	DATE
DRAWN	DY
CHECKED	7/19/11
APPROVED	

SIZE	PART NO.	REV.
X	EB124-XX-C-GY	-
REF: S00007T	SCALE: NTS	SHEET 1 OF 1